

D

Diaphragm motor-driven dosing pumps

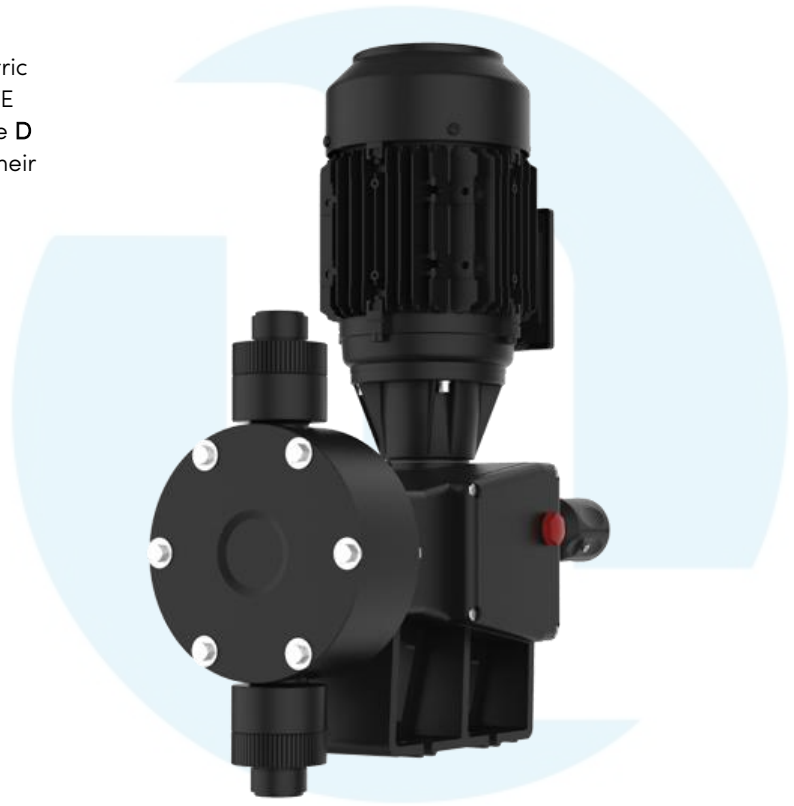
The metering pumps **D series** are driven by an electric motor, the dosage takes place thanks to a NBR/PTFE (material in contact with the liquid) diaphragm. The **D series** pumps make their robustness and reliability their main characteristic.

GENERAL FEATURES

- Max Flow rate:
 - 535 l/h at 50Hz
 - 574 l/h at 60Hz
- Max Pressure: 12 bar.
- Standard Power Supply: 230-400V 3phases 50Hz.
- Motor: 0.25 or 0.37 kW.
- Frequency:
 - 60, 103 and 120 strokes/min at 50Hz
 - 72 and 122 strokes/min at 60Hz
- Pump Head: PVC, AISI316L or PVDF.
- Valves:
 - Single ball with AISI316L pump head
 - Double balls with PVC pump head
- Balls: ceramic or AISI316L.
- Ball seats FPM, EPDM or NBR.
- Valves seats in PVC or PVDF.
- Diaphragm in NBR/PTFE.
- PTFE material in contact with the chemical.
- Die-cast aluminum housing protected by epoxy/anti-acid paint.
- IP55 protection degree.
- Insulation class: F.

On request, D pumps series can be equipped with

- Motorizations:
 - Without motor.
 - UL/CSA motor certification.
 - Single-phase motor.
 - Self-ventilated motor.
 - ATEX motor.
 - Tropicalized motor.
- Hydraulic:
 - NPT hydraulic connections.
 - Larger dimensions valves.
- Regulation and control by an external signal:
 - Electric actuator (automatic adjustment of piston "run" by a 4-20mA signal).
 - Inverter (automatic adjustment of motor speed by a 4-20mA signal).





TECHNICAL FEATURES

Model	Flow rate		Pressure bar(psi)			
	l/h(Gal/h)		AISI		PVC	
	50 Hz	60 Hz	50 Hz	60 Hz	50 Hz	60 Hz
BD0079	79(20,87)	95(25,05)	12(174)	11(160)	10(145)	10(145)
BD0135	135(35,67)	162(42,80)	10(145)	8(116)	10(145)	8(116)
BD0158	158(41,74)	-	8(116)	-	8(116)	-
BD0150	150(39,63)	180(47,56)	7,5(109)	6(87)	7,5(109)	6(87)
BD0257	257(67,90)	308(81,48)	6(87)	5(73)	6(87)	5(73)
BD0300	300(79,26)	-	5(73)	.	5(73)	.
BD0278	278(73,45)	334(88,14)	3,5(51)	3(44)	3,5(51)	3(44)
BD0478	478(126,3)	574(151,6)	2,5(36)	2(29)	2,5(36)	2(29)
BD0535	535(141,4)	-	2(29)	-	2(29)	-
BD0278	278(73,45)	334(88,14)	4(58)	3,5(51)	4(58)	3,5(51)
BD0478	478(126,3)	574(151,6)	3(43)	2,5(36)	3(43)	2,5(36)
BD0535	535(141,4)	-	2,5(36)	.	2,5(36)	.

Model	Strokes		Lenght mm	Diaphragm (Φ) mm	Power kW	Valves
	min					
	50 Hz	60 Hz				
BD0079	60	72	10	75	0,25	¾" Gm
BD0135	103	122	10	75	0,25	¾" Gm
BD0158	120	-	10	75	0,25	¾" Gm
BD0150	60	72	10	95	0,25	1" Gm
BD0257	103	122	10	95	0,25	1" Gm
BD0300	120	-	10	95	0,25	1" Gm
BD0278	60	72	10	115	0,25	1" Gm
BD0478	103	122	10	115	0,25	1" Gm
BD0535	120	-	10	115	0,25	1" Gm
BD0278	60	72	10	115	0,75	1" Gm
BD0478	103	122	10	115	0,75	1" Gm
BD0535	120	-	10	115	0,75	1" Gm

D SERIES

Diaphragm motor-driven dosing pumps



Pump head configurations

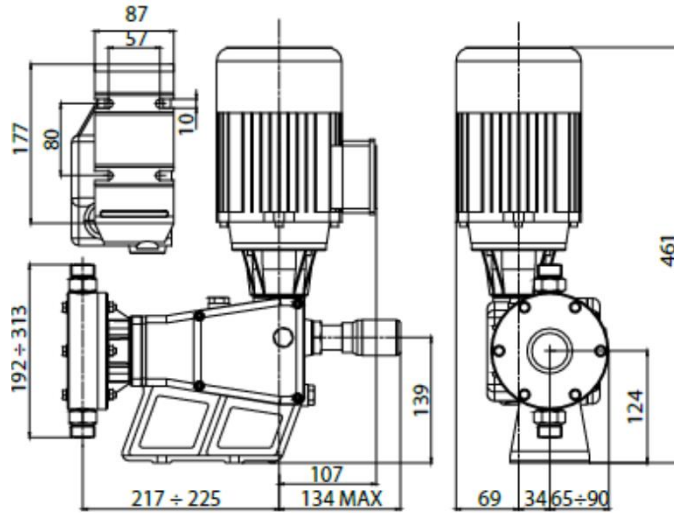
- Standard

Version	Pump head	Connections	Diaphragm	Valve Seats	Balls	Ball Seats
AA	SS316L	SS316L	NBR/PTFE	PVDF	SS316L	NBR
BA	PVC	PVC	NBR/PTFE	PVC	Ceramic	FPM

- On request

Version	Pump head	Connections	Diaphragm	Valve Seats	Balls	Ball Seats
AP	SS316L	SS316L	NBR/PTFE	PVDF	SS316L	FPM
AI	SS316L	SS316L	NBR/PTFE	PVDF	SS316L	EPDM
BI	PVC	PVC	NBR/PTFE	PVC	Ceramic	EPDM
SA	PVDF	PVDF	NBR/PTFE	PVDF	Ceramic	FPM
SI	PVDF	PVDF	NBR/PTFE	PVDF	Ceramic	EPDM

OVERALL DIMENSIONS



PRODUCT CODES

Code	Description
BD0079AA0000	79 l/h – 12 bar SS316L Pump Head
BD0135AA0000	135 l/h – 10 bar SS316L Pump Head
BD0158AA0000	158 l/h – 8 bar SS316L Pump Head
BD0150AA0000	150 l/h – 7,5 bar SS316L Pump Head
BD0257AA0000	257 l/h – 6 bar SS316L Pump Head
BD0300AA0000	300 l/j – 5 bar SS316L Pump Head
BD0278AA0000	278 l/h – 3,5 bar SS316L Pump Head
BD0478AA0000	478 l/h – 2,5 bar SS316L Pump Head
BD0535AA0600	535 l/h – 2 bar SS316L Pump Head
BD0278AA0600	278 l/h – 4 bar SS316L Pump Head
BD0478AA0600	478 l/h – 3 bar SS316L Pump Head
BD0535AA0600	535 l/h – 2,5 bar SS316L Pump Head

Code	Description
BD0079BA0000	79 l/h – 10 bar PVC Pump Head
BD0135BA0000	135 l/h – 10 bar PVC Pump Head
BD0158BA0000	158 l/h – 8 bar PVC Pump Head
BD0150BA0000	150 l/h – 7,5 bar PVC Pump Head
BD0257BA0000	257 l/h – 6 bar PVC Pump Head
BD0300BA0000	300 l/j – 5 bar PVC Pump Head
BD0278BA0000	278 l/h – 3,5 bar PVC Pump Head
BD0478BA0000	478 l/h – 2,5 bar PVC Pump Head
BD0535BA0600	535 l/h – 2,5 bar PVC Pump Head
BD0278BA0600	278 l/h – 4 bar PVC Pump Head
BD0478BA0600	478 l/h – 3 bar PVC Pump Head
BD0535BA0600	535 l/h – 2,5 bar PVC Pump Head

D SERIES

Diaphragm motor-driven dosing pumps