

DLX & DLX B MA/MB

Digital dosing pump with manual flow rate regulation

The DLX MA/MB model consists of a series of microcontroller metering pumps enabling digital manual regulation.

GENERAL FEATURES

- Digital display.
- Manual flow rate adjustment.
- Level input (supplied without probe).
- Flow sensor (also available without).
- Anti-acid plastic casing.
- IP65 protection.
- Wall (DLX) and foot mount (DLXB).
- Standard configuration: PVDF pump head, PTFE diaphragm.
- Ceramic balls, FPM seals*.
- Automatic air bleed available on request.
- Power supply: 230 V**.
- Strokes frequency: 120 strokes/min.



PVDF-FPM STANDARD KIT

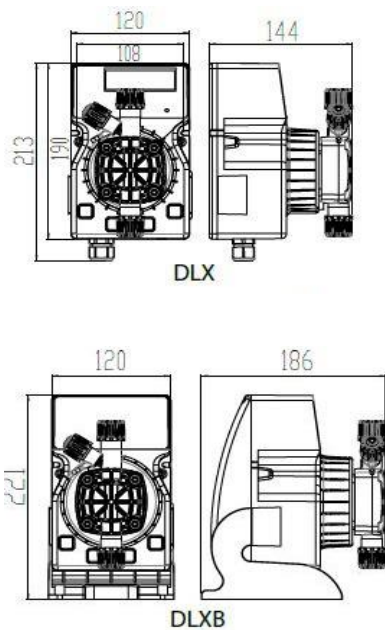
All DLXs are supplied with a standard PVDF-FPM installation kit, made up of 2m discharge PE tubing (4x6mm), 2m suction + 2m bleeding PVC crystal tube (4x6mm), PVDF foot filter, PVDF injection valve. Other configurations are available upon request.



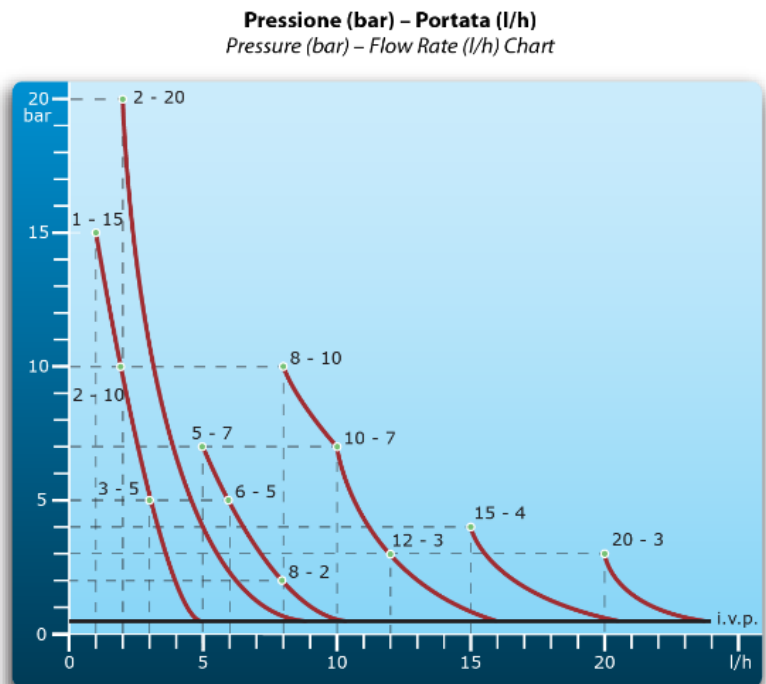
TECHNICAL FEATURES

Version	Flow Rate l/h (US GI/ h)	Max Pressure Bar - PSI	Max frequency (imp./min)	Injection Volume (cc per stroke)	Standard Power Supply (Volts -Hz)	Power consumption (Watts)	Net Weight (Kg)
0115	1 (0.26) 2 (0.53) 3 (0.78)	15 10 5	120	0,14 0,28 0,42	230V - 50-60 Hz	37	2.3
0507	5 6 8	7 5 2	120	0,69 0,83 1,11	230V - 50-60 Hz	37	2.3

DIMENSIONS (MM)



PRESSURE-FLOWRATE DIAGRAM



CODES

CODE	DESCRIPTION
PLX242225E	DLX MA/MB 1 - 15
PLX240385E	DLX MA/MB 5 - 7

CODE	DESCRIPTION
PBX242225E	DLXB MA/MB 1 - 15
PBX240385E	DLXB MA/MB 5 - 7

DLX & DLX B SERIES

solenoid dosing pumps