



DLX & DLX B VFT/MBB

Volumetric digital solenoid dosing

DLX VFT/MBB model consists of a series of metering pumps performing a proportional dosing via a contact water meter.

GENERAL FEATURES

- Digital Display.
- Operating functions:
- Digital Manual flow rate adjustment from 0÷100% .
- Proportional dosing functions by reed water meter: 1xn; 1xn (m) 1:n.
- Relay Output.
- Level switch connector.
- Anti-acid plastic casing.
- IP65 protection.
- Wall (DLX) and Foot mounted (DLXB):
- Standard configuration: PVDF pump head, PTFE diaphragm, ceramic balls, FPM seats*.
- Manual air bleed pump head; from 5 to 15l/h automatic air bleed available on request.
- Power Supply: 230V**.
- Strokes frequency: 120 strokes/min.



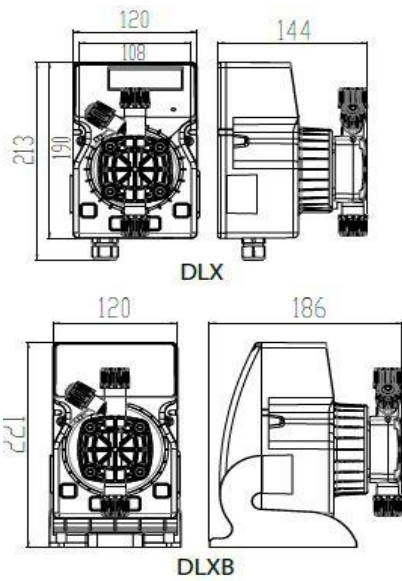
PVDF-FPM STANDARD KIT

All DLXs are supplied with a standard PVDF-FPM installation kit, made up of 2m discharge PE tubing (4x6mm), 2m suction + 2m bleeding PVC crystal tube (4x6mm), PVDF foot filter, PVDF injection valve. Other configurations are available upon request

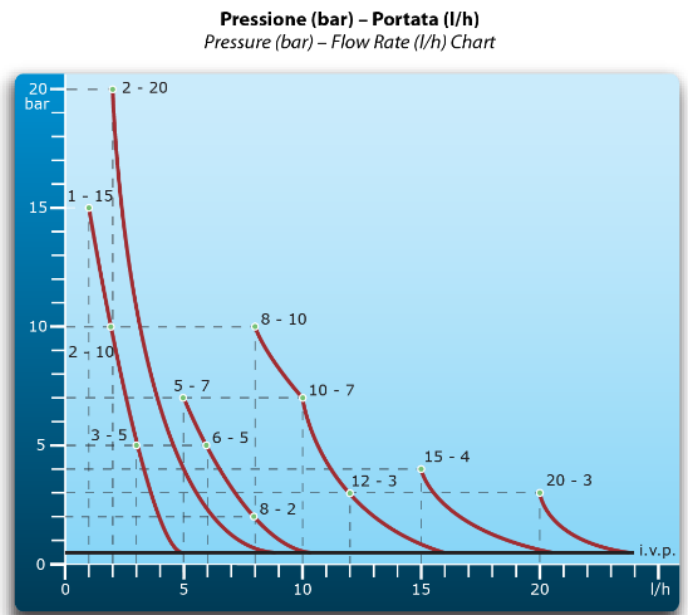
TECHNICAL FEATURES

Version	Flow Rate l/h (US GI/ h)	Max Pressure Bar - PSI	Max frequency (imp./ min)	Injection Volume (cc per stroke)	Standard Power Supply (Volts -Hz)	Power consumption (Watts)	Net Weight (Kg)
0115	1 (0.26) 2 (0.53) 3 (0.78)	15 10 5	120	0,14 0,28 0,42	230V - 50-60 Hz	37	2.3
0507	5 6 8	7 5 2	120	0,69 0,83 1,11	230V - 50-60 Hz	37	2.3

DIMENSIONS (MM)



PRESSURE-FLOWRATE DIAGRAM



CODES

Code	Description
PLX392225E	DLX VFT/MBB 1 - 15
PLX390385E	DLX VFT/MBB 5 - 7

Code	Description
PBX392225E	DLXB VFT/MBB 1 - 15
PBX390385E	DLXB VFT/MBB 5 - 7