

## PK-POOL

### Peristaltic dosing pump with built in pH or Rx controller

The PK Pool series of peristaltic dosing pumps are perfect for the domestic swimming pools, SPA and wellness centres. Mainly designed to be “ready to install” and “user-friendly” for the user.

#### GENERAL FEATURES

- pH or Rx selection.
- Flow rate 1,5 l/h.
- Max Pressure 1,5 bar.
- pH measurement range: from 0 to 14 pH.
- Power supply: 230V 50-60Hz.
- Maximum power consumption: 15W.
- Set point selection.
- Type of intervention (Acid or Alkaline).
- proportional activation mode respect to the measure value.
- Display backlighted.
- Supplied with complete installation kit:
  - pH probe with 5 m cable.
  - Saddle clamp.
  - PP probe holder ½”.
  - Buffer solutions: pH 7 & 9.
  - Injection valve (PVC/FPM).
  - Foot filter (PP/FPM).
  - 2m suction & 2m discharge tubing.
  - Mounting Bracket, to install the pump indifferently on a wall (vertical) or on a tank (horizontal).
  - Foot Filter (pp/FPM).





### TECHNICAL FEATURES

| Version | Flow Rate l/h<br>(US Gal/h) | Pressure<br>bar (psi) |
|---------|-----------------------------|-----------------------|
| 0101    | 1.5 (0.40)                  | 1.5 (21)              |

### CODES

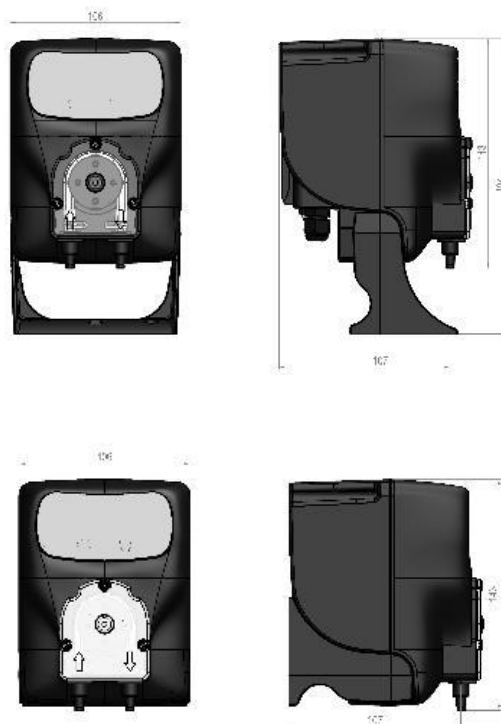
| PkPool pH  | Version |
|------------|---------|
| CXB4005101 | 0101    |

| PkPool Rx  | Version |
|------------|---------|
| CXB4005201 | 0101    |

| Code       | Description |
|------------|-------------|
| SCO0003004 | Rx kit      |

| Code        | Description |
|-------------|-------------|
| SCO 0003003 | pH kit      |

### DIMENSIONS (MM)



#### PK-POOL SERIES

Peristaltic dosing pumps