

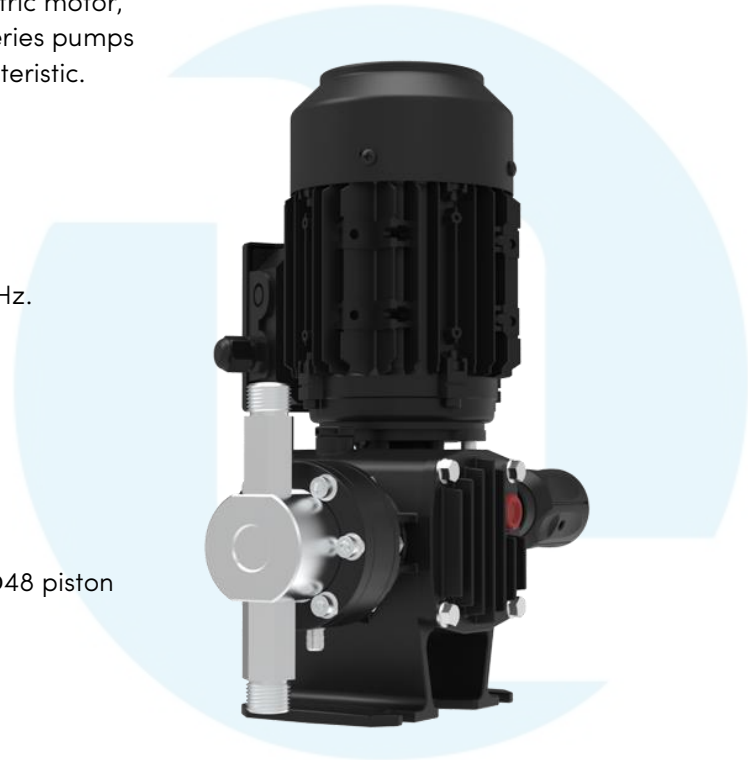
ST-P

Plunger Piston Motor-driven pumps

The metering pumps ST-P series are driven by an electric motor, the dosage takes place thanks to a piston. The ST-P series pumps make their robustness and reliability their main characteristic.

GENERAL FEATURES

- Max Flow Rate:
 - 225 l/h at 50Hz
- Max Pressure: 20 bar.
- Standard Power Supply: 230-400V 3phases 50/60Hz.
- Motor: 0.18 or 0.25 kW.
- Working Frequency:
 - from 60 to 120 strokes/min at 50Hz
 - from 72 to 144 strokes/min at 60Hz
- Pump Head: PVC, SS316L or PVDF.
- Valves:
 - Double balls.
 - Single ball for pump head in SS316L with $\Phi 48$ piston
- Balls: ceramic or AISI316L.
- Ball seats: FPM, EPDM or NBR.
- Valve seats in PVC or PVDF.
- Piston in AISI316 or Ceramic.
- Piston seals NBR, FPM or EPDM.
- Die-cast aluminum housing protected by epoxy/anti-acid paint.
- IP55 protection degree.
- F insulation class.



On request, ST-P pumps series can be equipped with

- Motorizations:
 - Without motor.
 - UL/CSA motor certification.
 - Single-phase motor.
 - Self-ventilated motor.
 - ATEX motor.
 - Tropicalized motor.
- Hydraulic:
 - NPT hydraulic connections.
 - Larger dimensions valves.
- Regulation and control by an external signal:
 - Electric actuator (automatic adjustment of piston "run" by a 4-20mA signal).
 - Inverter (automatic adjustment or motor speed by a 4-20mA signal).



CARATTERISTICHE TECNICHE

Model	Flow Rate		Pressure bar(psi)				Strokes/min		Length mm	Piston (Φ) mm	Power kW	Valves
	l/h(Gal/h)		AISI		PVC		min					
	50 Hz	60 Hz	50 Hz	60 Hz	50 Hz	60 Hz	50 Hz	60 Hz	mm	(Φ) mm	kW	
AP0011	11(2,91)	13(3,49)	20(290)	20(290)	10(145)	10(145)	60	72	15	16	0.18	½" Gm
AP0022	22(5,81)	-	20(290)	-	10(145)	-	120	-	15	16	0.18	½" Gm
AP0039	39(10,30)	47(12,36)	13(196)	11(157)	10(145)	10(145)	60	72	15	30	0.18	½" Gm
AP0077	77(20,34)	-	10(145)	-	10(145)	-	120	-	15	30	0.18	½" Gm
AP0095	95(25,10)	114(31,12)	4,5(65)	4(58)	4,5(65)	4(58)	60	72	15	48	0.18	½" Gm
AP0190	190(50,20)	-	3,5(51)	-	3,5(51)	-	120	-	15	48	0.18	½" Gm
AP0112	112(29,59)	134(35,4)	6(87)	6(87)	6(87)	6(87)	60	72	17	48	0.25	½" Gm
AP0225	225(59,5)	-	6(87)	-	6(87)	-	120	-	17	48	0.25	½" Gm

HEAD CONFIGURATIONS

- Standard

Version	Head	Connections	Piston	Piston Seals	Valve Seats	Balls	Ball Seats
AA	SS316L	SS316L	SS316L	NBR	PVDF	AISI316L	NBR
BA	PVC	PVC	Ceramic	FPM	PVC	Ceramic	FPM

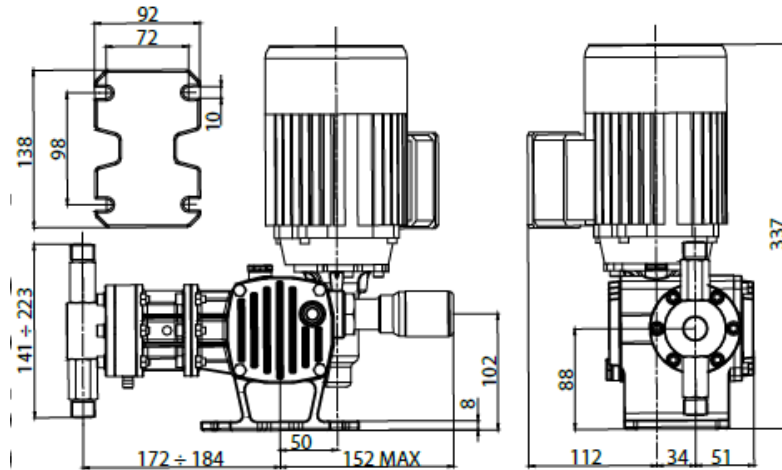
- On request

Version	Head	Connections	Piston	Piston Seals	Valve Seats	Balls	Ball Seats
AP	SS316L	SS316L	SS316L	FPM	PVDF	SS316L	FPM
AI	SS316L	SS316L	SS316L	EPDM	PVDF	SS316L	EPDM
BI	PVC	PVC	Ceramic	EPDM	PVC	Ceramica	EPDM
SA	PVDF	PVDF	Ceramic	FPM	PVDF	Ceramica	FPM
SI	PVDF	PVDF	Ceramic	EPDM	PVDF	Ceramica	EPDM

ST-P SERIES

Piston dosing pumps

DIMENSIONS



CODES

Code	Description
AP0011BA00100	11l/h – 10 bar PVC Head
AP0022BA00100	22l/h – 10 bar PVC Head
AP0039BA00100	39l/h – 10 bar PVC Head
AP0077BA00100	77l/h – 10 bar PVC Head
AP0095BA00100	95l/h – 4,5 bar PVC Head
AP0190BA00100	190l/h – 3,5 bar PVC Head
AP0112BA00100	112l/h – 6 bar PVC Head
AP0225BA00100	225l/h – 6 bar PVC Head

Code	Description
AP0011AA00100	11l/h – 20 bar AISI316L Head
AP0022AA00100	22l/h – 20 bar AISI316L Head
AP0039AA00100	39l/h – 13 bar AISI316L Head
AP0077AA00100	77l/h – 10 bar AISI316L Head
AP0095AA00100	95l/h – 4,5 bar AISI316L Head
AP0190AA00100	190l/h – 3,5 bar AISI316L Head
AP0112AA00100	112l/h – 6 bar AISI316L Head
AP0225AA00100	225l/h – 6 bar AISI316L Head