



ELIGERE 01

Measure and control instruments

Eligere 01 is a controller with one channel measure (+ temperature). The wide graphic display and the user-friendly navigation make it a very simple product for the end-user. Predisposed for EtaCloud connection, thanks to the "Connection Kit" (not included with the controller) the Eligere 01 can be managed in a remote way.

GENERAL FEATURES

- Backlighted graphic display 128x64 pixel.
- Four control keys for instrument calibration and configuration.
- Universal Power Supply 100-240 Vac (50/60 Hz) – 5W – or 12-24 Vac/Vdc.
- Temperature measurement with automatic compensation with PT100 probe or manual compensation.
- Two independent relays: programmable with two set-points, direct-reverse mode (acid-alkaline); ON/OFF and proportional mode (PWM).
- Relay for MIN and MAX alarm.
- pH, Rx (mV), Free Chlorine (ppm) or Total Chlorine (ppm) or conductivity (+ temperature) measures.
- pH or Rx version selectable by the user.
- Measure of Chlorine with ion-selective membrane or amperometric cell Pt-Cu.
- Overdosing alarm (excessive dosing time).
- Integral timer for start/stop of the instrument.
- Level probe and flow sensor input.
- Case (229x204x118, ABS, IP65) for wall mounting.



ETACLOUD

The EtaCloud software supports remote control of all the operating and programming parameters of the Eligere. The user, via smartphone, tablet or PC, can perform all monitoring and control operations from the device connected to the Internet, exactly as if he is facing the controller. The software sends - via email - alarms and status changes to the operator, thus enabling remote technical service. The connection with EtaCloud takes place thanks to the Connectivity Kit (not included with the instrument), which allow Ethernet or Wi-Fi connection.

TECHNICAL FEATURES

Functions	Measure range	Relay	Hysteresis	Delay	Analogic outputs	Auxiliary output
pH or Redox (selectable by the user), Chlorine (ppm), Conductivity, Temperature	pH 0...14	5 A - 230 V, free contact	Programmable on setpoint value	Programmable with setpoint value to close or open the relay contact	n.2 4-20 mA signals programmable by the user; 500 ohm maximum load impedance, with galvanic separation	Relay connected to timer function
	Rx (mV) -1000 +1400					
	Cl (ppm) 0-2 / 0-5 / 0-20 Cl tot CLC (0-10 ppm)					
	Ppm 0-20 / 0-200 / 0-2000 / 0- 20000					
	Temperature 0...100 °C (or °F)					
	Conductivity 0...200mS					

CODES

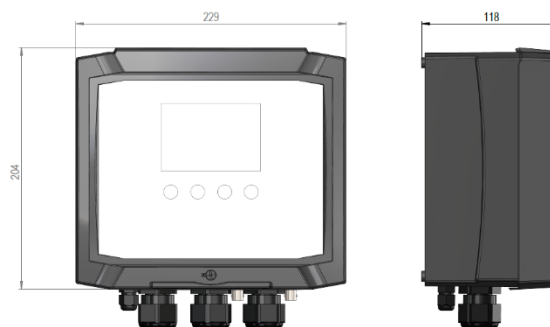
Code	Description
CXB5125101	Eligere 01 Cl 100/240 V
CXB5125201	Eligere 01 Cl 12/24 V

Code	Description
CXB5116101	Eligere 01 CD 100/240 V
CXB5116201	Eligere 01 CD 12/24 V

Code	Description
CXB5120101	Eligere 01 pH(Rx) 100/240 V
CXB5120201	Eligere 01 pH(Rx) 12/24 V

Code	Description
KST1000101	Connectivity kit

DIMENSIONS



ELIGERE SERIES

Measure and control instruments